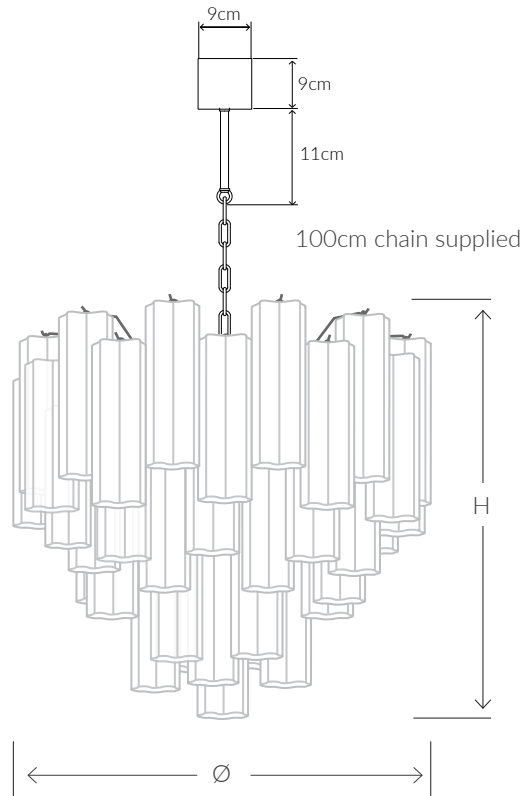


# VILLAVERDE

LONDON  
DALLAS

## MURANO BAR CHANDELIER 11170



Consult chart (right) for sizing

\*The product height, does not include the ceiling cup dimension.  
Please refer to the diagram above for the ceiling cup dimensions.

All products are handmade, therefore variances may occur.



### SIZES\*

4 light	H 35cm H 13.8"	Ø 35cm Ø 13.8"	Kg 10 Lb 22
4 light Large	H 45cm H 17.7"	Ø 45cm Ø 17.7"	Kg 13 Lb 28.7
5 light	H 45cm H 17.7"	Ø 50cm Ø 19.7"	Kg 18 Lb 39.7
7 light	H 50cm H 19.7"	Ø 60cm Ø 23.6"	Kg 25 Lb 55.1
10 light	H 60cm H 23.6"	Ø 75cm Ø 29.5"	Kg 40 Lb 88.2
13 light	H 70cm H 27.6"	Ø 90cm Ø 35.4"	Kg 60 Lb 132.3
21 light	H 80cm H 31.5"	Ø 120cm Ø 47.2"	Kg 100 Lb 220.5

### MATERIALS

MURANO  
Hand crafted murano

OTHER FINISHES  
Frame available in Chrome  
or Gold

### MURANO COLOURS

Colour palettes available online

### SUSPENSION

All ceiling lights are supplied with approximately 100cm or 40" of chain. If additional chain is required please specify. Additional costs may apply.

### FIXING

Ensure the hook is suitable to carry the weight of the product and fitted before the chandelier installation.  
Ceiling Hook not supplied.

### INSTALLATION

Fixture requires on site assembly by a qualified electrician.

### ELECTRICALS

Lightbulbs are not supplied - ADVISE LED bulb.

UK

220V E14 Candle bulb  
40W max per bulb ( Standard ) - 6W LED per bulb

USA

120V E12 Candle bulb  
40W max per bulb ( Standard ) - 6W LED per bulb

Or

UK

220V E27 Candle bulb  
40W max per bulb ( Standard ) - 6W LED per bulb

USA

120V E26 Candle bulb  
40W max per bulb ( Standard ) - 6W LED per bulb

USA Regulations may affect the Design.

### STANDARD

All lighting is made to CE standards  
UL listing upon request

### SHADES

Shades are not available for this product.